

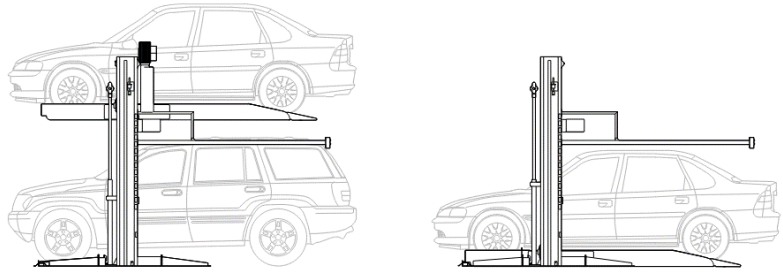


Utron Stacker UST-2A series

Data sheet

Main points:

- Fit for 2 cars (single unit)
- Top level is dependent on bottom level
- Load capacity: 4,400 lbs.
- Up/down time \leq 60 sec.
- Outdoor installation requires protection against snowfall (by others)



Figures 1a&1b – “Up” and “Down” positions

(1) Length:

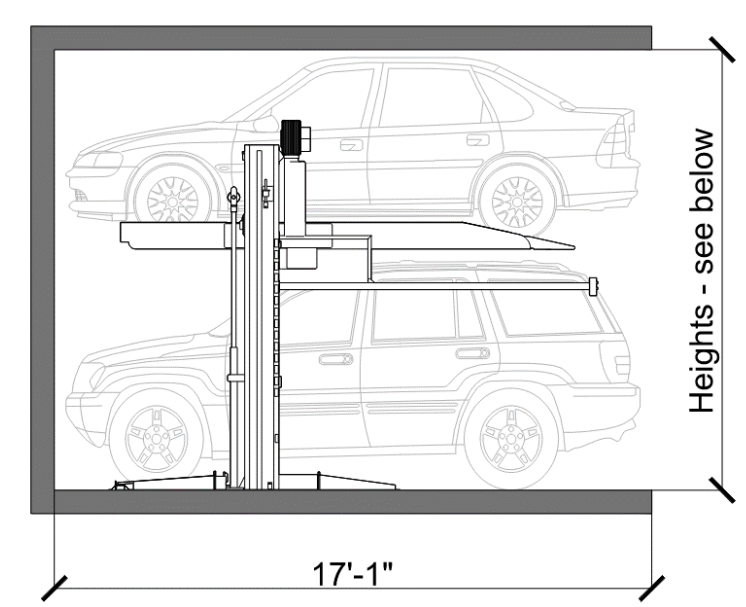


Figure 2 – installation length

Notes:

- For car length 16'-5" – installation length 17'-1" minimum
- Platform length – 13'-0"

401 Hackensack Avenue, Suite 505, Hackensack, New Jersey 07601

T 201 592 1444 F 201 592 1544 info@utron-parking.com www.utron-parking.com

Information subject to change without notice

UST-2A

(2) Height options:

Designation	Bottom level car height	Top level car height	Overall height (OH)	Platform height (PH)
UST-2AH1	5'-0"	5'-0"	10'-9"	5'-3"
UST-2AH2	5'-4"	5'-0"	11'-1"	5'-7"
UST-2AH3	5'-8"	5'-0"	11'-5"	5'-11"
UST-2AH4	6'-0"	5'-0"	11'-9"	6'-3"
UST-2AH5	6'-4"	5'-0"	12'-1"	6'-7"
UST-2AH6	6'-8"	5'-0"	12'-5"	6'-11"

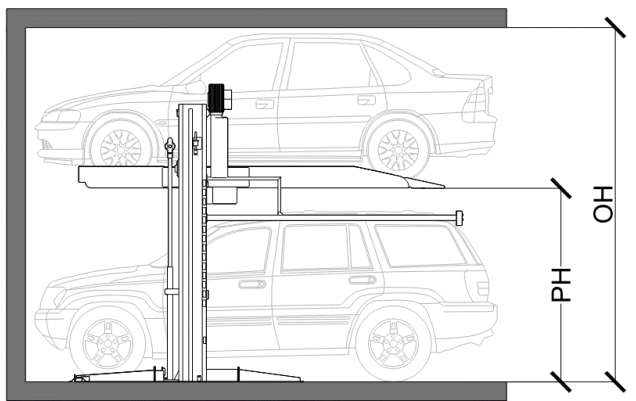


Figure 3a – H1÷H3

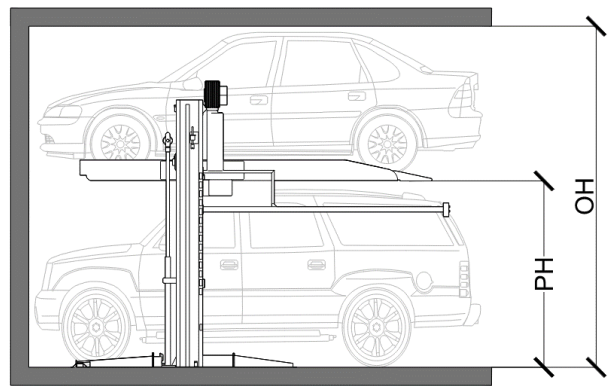


Figure 3b – H4÷H6

Notes:

- OH = minimum clear height for installation
- Increasing OH even more will allow higher cars on the top level

(3) Width:

- Max. car width: 6'-3"
- Platform width: 6'-9"
- Installation width: 9'-7" (minimum required)

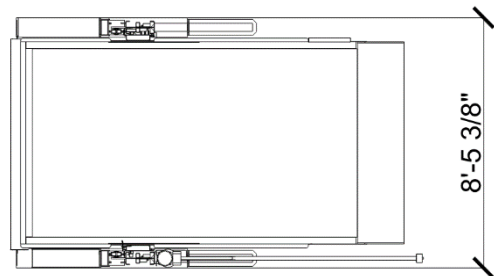


Figure 4 – system width

401 Hackensack Avenue, Suite 505, Hackensack, New Jersey 07601

T 201 592 1444 F 201 592 1544 info@utron-parking.com www.utron-parking.com

Information subject to change without notice

(4) Loads and attachments:

- 8 point loads, each 770 lbs.
- Anchors at each attachment point:
1/2"x4" Stud anchors

Contact Utron for mounting on non-concrete surfaces.

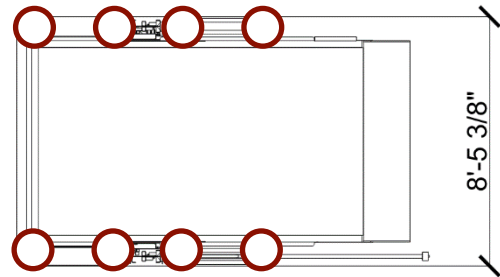


Figure 5 – attachment points

(5) Electrical requirements:

The following shall be provided near each unit (by others):

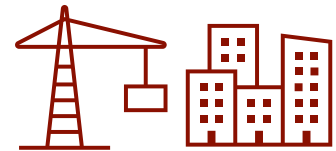
- Fused circuit breaker – 3x16 A @ 208 V, 60 Hz
- Grounding point



Electrical equipment and materials downstream from building circuit breaker – by Utron.

(6) Building/environmental conditions:

- Temperature range: 40°F to 100°F
- Relative humidity <50%
- Lighting – by Architectural design
- Design of drive aisles and walkways – by Architectural design
- Fire safety – by Fire Protection consultant
- Installation area must be flat



(7) Corrosion protection:

- Pallets plates are galvanized
- Stacker structure is painted



(8) Maintenance:

Utron offers comprehensive maintenance programs, with Nationwide in-house maintenance crews, and 24h help-desk service.



(9) How to order:

UST-2AH#-#W

Height group, see (2)

Combine units to save space on width!

401 Hackensack Avenue, Suite 505, Hackensack, New Jersey 07601

T 201 592 1444 F 201 592 1544 info@utron-parking.com www.utron-parking.com

Information subject to change without notice

UST-2A

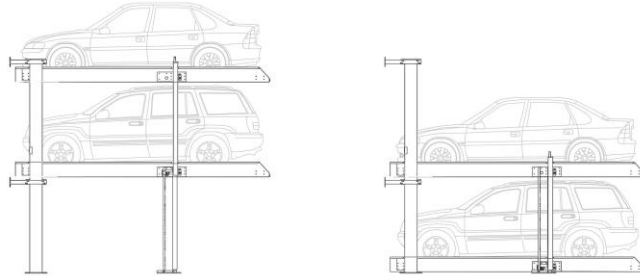


Utron Stacker UST-1A1B series

Data sheet

Main points:

- Fit for 2 cars (single unit)
- Top level is NOT dependent on bottom level
- Load capacity: 5,500 lbs. (ea.)
- Up/down time \leq 60 sec.
- Outdoor installation requires protection against snowfall (by others)



Figures 1a&1b – “Up” and “Down” positions

(1) Length:

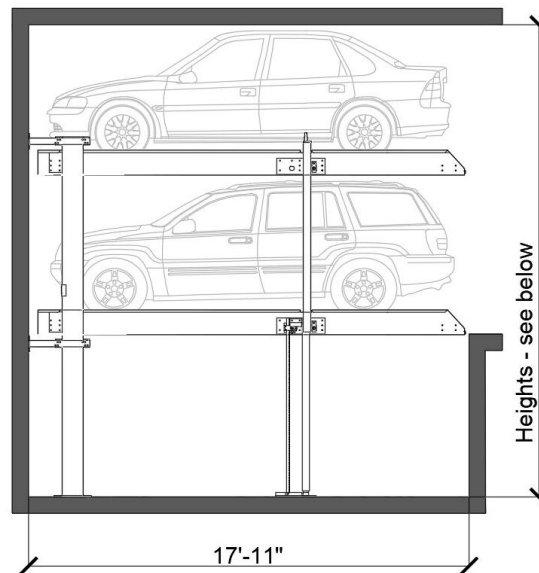


Figure 2 – installation length

Notes:

- For car length 17'-0" – installation length 17'-11" minimum
- Platform length – 17'-4"

401 Hackensack Avenue, Suite 505, Hackensack, New Jersey 07601

T 201 592 1444 F 201 592 1544 info@utron-parking.com www.utron-parking.com

Information subject to change without notice

UST-1A1B

(2) Height:

- Bottom level car height: 5'-8"
- Top level car height: 5'-3"
- Pit height (PH): 6'-8"
- Overall height (OH): 19'-3"

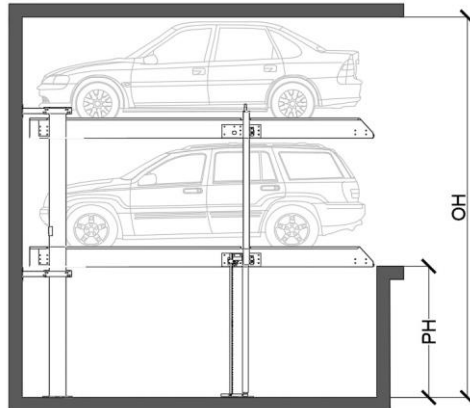


Figure 3a – Installation heights

Notes:

- PH = minimum required pit depth
- OH = minimum clear height for installation
- Increasing OH even more will allow higher cars on the top level

(3) Width:

- Max. car width: 6'-8"
- Platform width: 7'-2"
- Installation width: 9'-5" (minimum required)

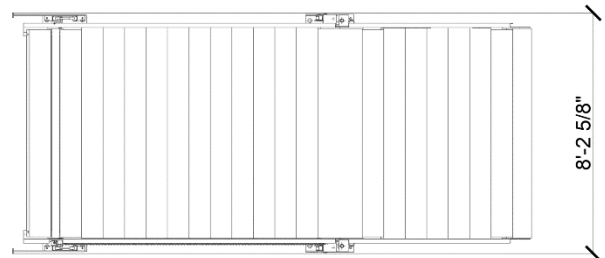


Figure 4 – system width

401 Hackensack Avenue, Suite 505, Hackensack, New Jersey 07601

T 201 592 1444 F 201 592 1544 info@utron-parking.com www.utron-parking.com

Information subject to change without notice

UST-1A1B

(4) Loads and attachments:

- P1 – point loads, each 4,000 lbs.
- P2 – point loads, each 8,000 lbs.
- P3 – point loads, each ±650 lbs.
- Anchors at each attachment point:
1/2"x4" Stud anchors

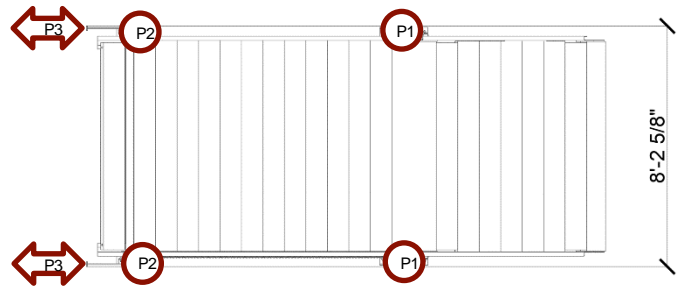


Figure 5 – attachment points

(5) Electrical requirements:

The following shall be provided near each unit (by others):

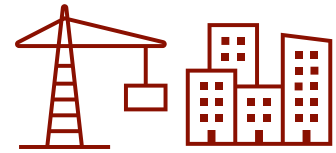
- Fused circuit breaker – 3x25 A @ 208 V, 60 Hz
- Grounding point



Electrical equipment and materials downstream from building circuit breaker – by Utron.

(6) Building/environmental conditions:

- Temperature range: 40°F to 100°F
- Relative humidity <50%
- Lighting – by Architectural design
- Design of drive aisles and walkways – by Architectural design
- Fire safety – by Fire Protection consultant
- Installation area must be flat



(7) Corrosion protection:

- Pallets plates are galvanized
- Stacker structure is painted



(8) Maintenance:

Utron offers comprehensive maintenance programs, with Nationwide in-house maintenance crews, and 24h help-desk service.



(9) How to order:

UST-1A1B-#W

Combine units to save space on width!

401 Hackensack Avenue, Suite 505, Hackensack, New Jersey 07601

T 201 592 1444 F 201 592 1544 info@utron-parking.com www.utron-parking.com

Information subject to change without notice

UST-1A1B

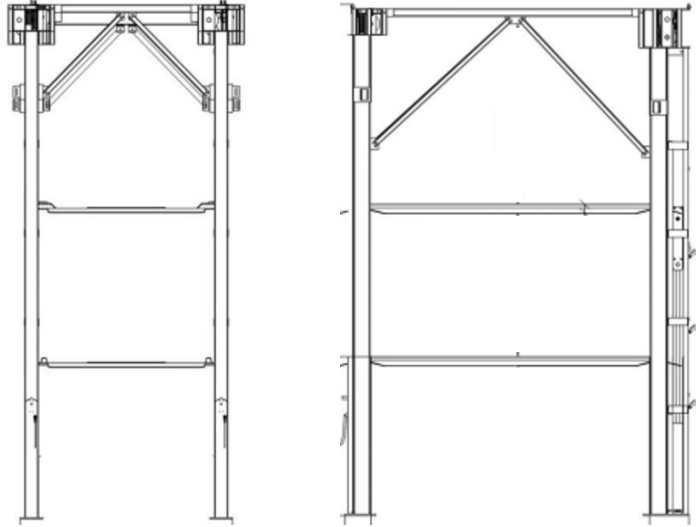


Utron Stacker UST-3A series

Data sheet

Main points:

- Fit for 3 cars (single unit)
- Top levels are dependent on bottom level
- Load capacity: 5,500 lbs. (ea.)
- Up/down time \leq 60 sec.
- Outdoor installation requires protection against snowfall (by others)



Figures 1a&1b – Front & Side elevations

(1) Length:

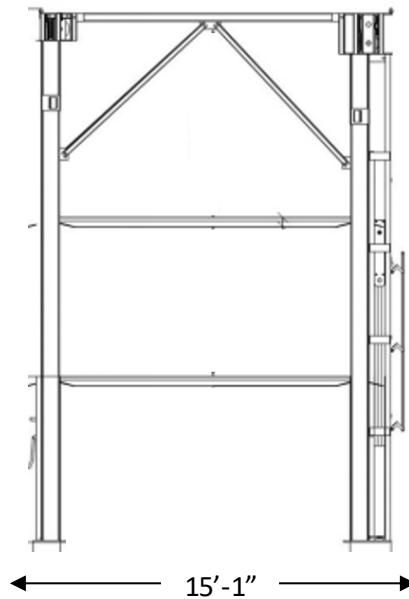


Figure 2 – installation length

401 Hackensack Avenue, Suite 505, Hackensack, New Jersey 07601

T 201 592 1444 F 201 592 1544 info@utron-parking.com www.utron-parking.com

Information subject to change without notice

UST-3A

(2) Height:

- Bottom level car height: 6'-4"
- Top level car height: 6'-4"
- Intermediate car height: 6'-0"
- Overall height (OH): 22'-6"

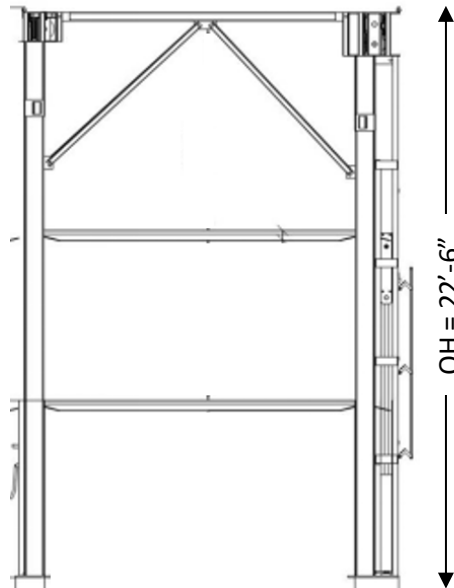


Figure 3a – Installation height

(3) Width:

- Max. car width: 6'-8"
- Platform width: 7'-2"
- Installation width: 9'-3" (minimum required)

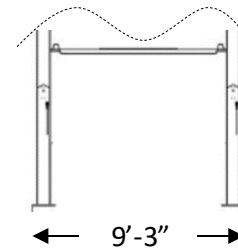


Figure 4 – installation width

401 Hackensack Avenue, Suite 505, Hackensack, New Jersey 07601

T 201 592 1444 F 201 592 1544 info@utron-parking.com www.utron-parking.com

Information subject to change without notice

UST-3A

(4) Loads and attachments:

- P1 – point loads, each 6,000 lbs.
- Anchors at each attachment point:
5/8"x6" Stud anchors

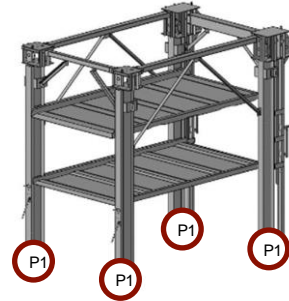


Figure 5 – attachment points

(5) Electrical requirements:

The following shall be provided near each unit (by others):

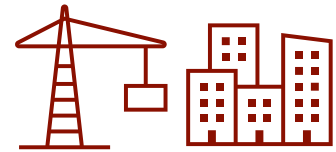
- Fused circuit breaker – 3x48 A @ 208 V, 60 Hz (for typical 3-wide unit)
- Grounding point



Electrical equipment and materials downstream from building circuit breaker – by Utron.

(6) Building/environmental conditions:

- Temperature range: 40°F to 100°F
- Relative humidity <50%
- Lighting – by Architectural design
- Design of drive aisles and walkways – by Architectural design
- Fire safety – by Fire Protection consultant
- Installation area must be flat



(7) Corrosion protection:

- Pallets plates are galvanized
- Stacker structure is galvanized



(8) Maintenance:

Utron offers comprehensive maintenance programs, with Nationwide in-house maintenance crews, and 24h help-desk service.



(9) How to order:

UST-3A-#W

Combine units to save space on width!

401 Hackensack Avenue, Suite 505, Hackensack, New Jersey 07601

T 201 592 1444 F 201 592 1544 info@utron-parking.com www.utron-parking.com

Information subject to change without notice

UST-3A